



BOUNCE BACK BOLLARD SPECS

Product Details:

Steel Pipe: 4" or 6" x 48" Sch 40 A53B Pipe

Bollard Cover: Comes with 1/8" Cover (other options available)

Base Plate: A36 Steel

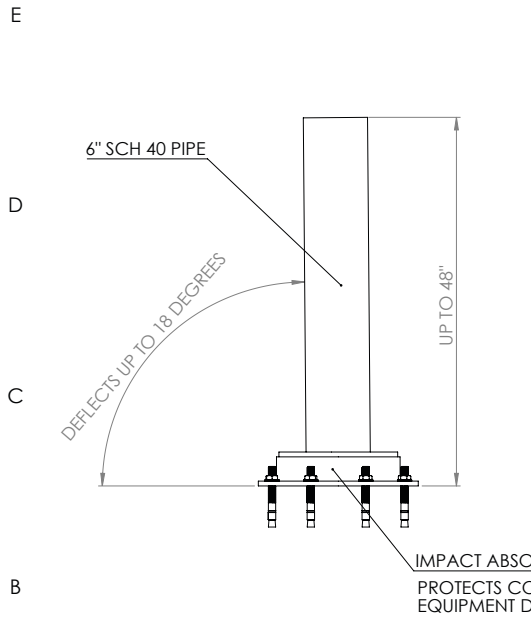
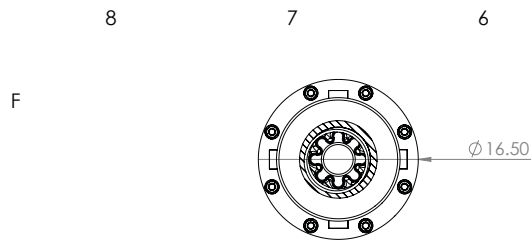
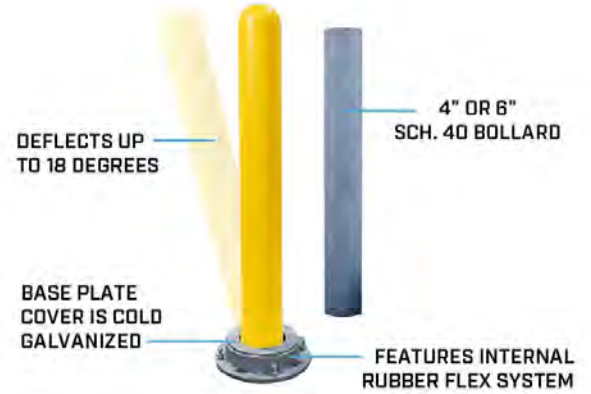
Base Plate Cover: 16.5" Base Plate - Galvanized or Brite Zinc Galvonic Spray

Rubber Flex System: Flex Base and Flex Topper

Install: Surface install with (4 or 8) Hiltite Anchors or equivalent

Finish: Bollard Cover, Raw, Galvanized, Primed, or Powder Coated

*Installation hardware not provided

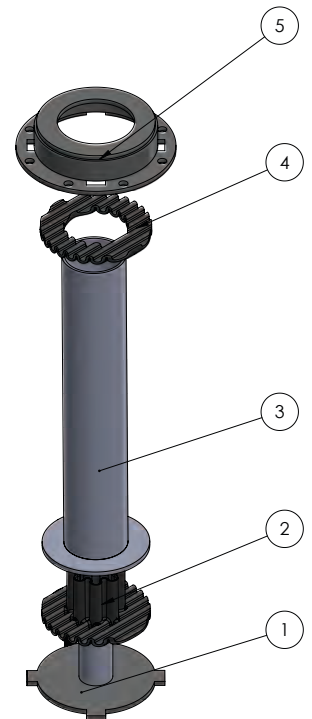


CUSTOMER SIGNATURE

LINEAR: _____
 ANGULAR: _____
 NAME SIGNATURE DATE
 DRAWN _____
 CH'CD _____
 APP'VD _____
 MFG _____
 Q.A _____

MATERIAL:

BASE INSTALL ORDER



BOUNCE BACK BOLLARD

DWG NO.

SCALE: 1:10

SHEET 1 OF 1

A3

WEIGHT:

2

1

8

7

6

5

4

3

2

1

F

F

E

E

D

D

C

C

B

B

A

A

8

7

6

5

4

3

2

1